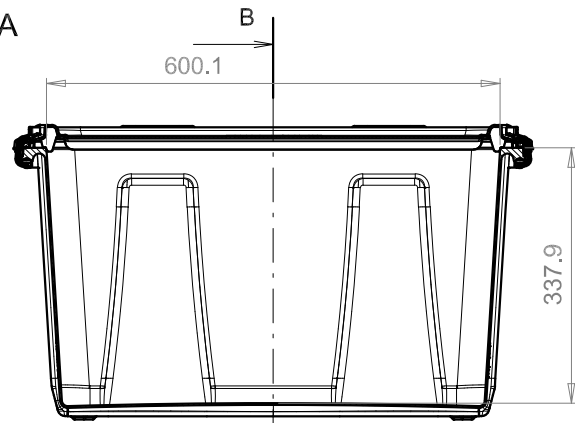
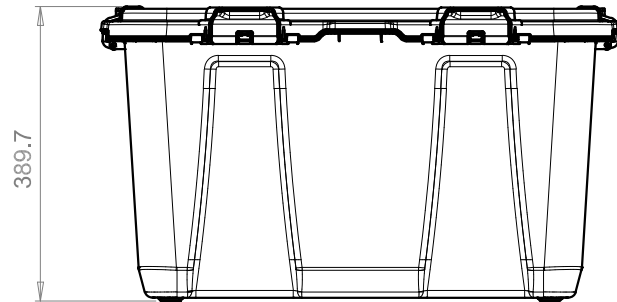
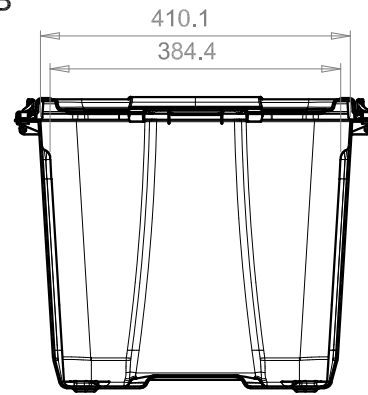


Sez.A-A



Sez.B-B



Model No.:	ALST#76LT000GRG
Case Weight (lbs. Empty)	3.6 Kg (7.92 lbs)
Interior Length	600.1 mm (23.62 in)
Interior Width	384.4 mm (15.13 in)
Interior Height	337.9 mm (13.30 in)
Exterior Length (L)	687.3 mm (27.06 in)
Exterior Width (W)	477.3 mm (18.79 in)
Exterior Height (H)	389.7 mm (15.34 in)
Capacity	76 Lt (20 Gal)



Plaber S.r.l. reserves the right to modify its products at any time and without notice, in order to better their quality and functionality. Therefore, all the information given in this datasheet is to be considered indicative and subject to possible modifications.

Rev.03	PROTECTIVE STORAGE BOXES	
	Plaber S.r.l. Via Div. Tridentina, 10 I-36061 Bassano del Grappa Vicenza-Italy Tel +39 0424 809150 Fax +39 0424 808548 info@alstora.com www.alstora.com VAT: IT03312270246	
	Scala : 1:8	Data: 11/10/2022